

Raising the bar in innovative DC MLPE solar power systems



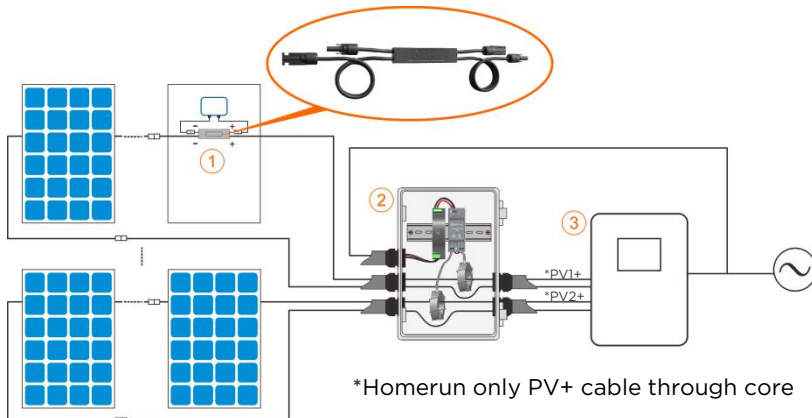
## TRANSMITTER-PLC OUTDOOR KIT

- Meets NEC 2017, 2020&2023 (690.12) requirements
- Switching off Transmitter-PLC results in rapid shutdown of the output of PV modules
- Meets SunSpec requirements
- Equipped with single/dual core
- Optional 85-264VAC power supply
- Optional 180-550VAC power supply

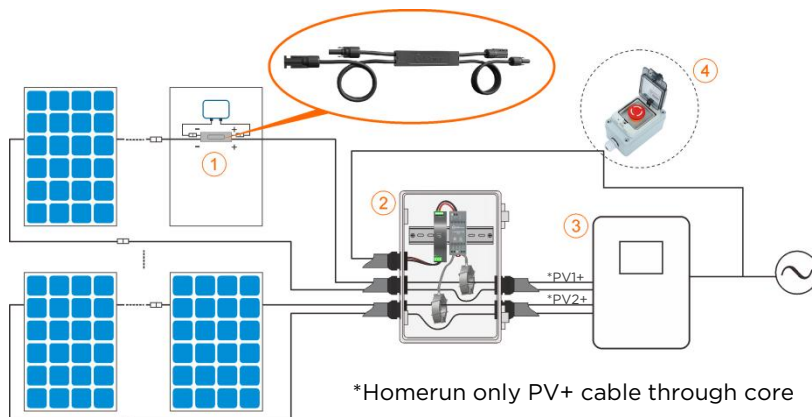
The APsmart Rapid Shutdown System Transmitter-PLC is part of a rapid shutdown solution when paired with APsmart RSD, a PV module rapid shutdown unit. While powered on, the Transmitter-PLC sends a signal to the RSD units to keep their PV modules connected and supplying energy.

RSD units automatically enter rapid shutdown mode when the Transmitter-PLC is switched off and resume energy production when power is restored to the Transmitter-PLC. This solution complies with NEC 690.12 specifications for 2017, 2020&2023 and supports the SunSpec signaling for rapid shutdown.

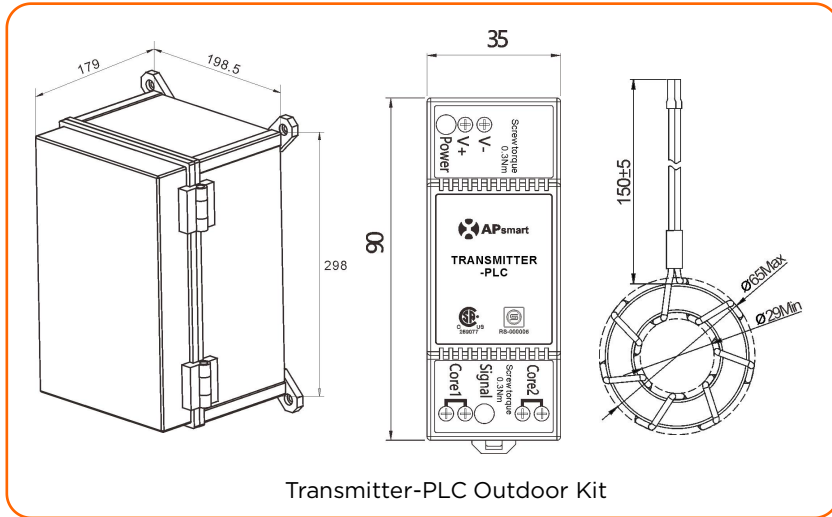
Transmitter-PLC Outdoor Kit includes a Transmitter-PLC with one or two cores, outdoor enclosure, 85-264VAC or 180-550VAC power supply. It could be used in residential or commercial project.



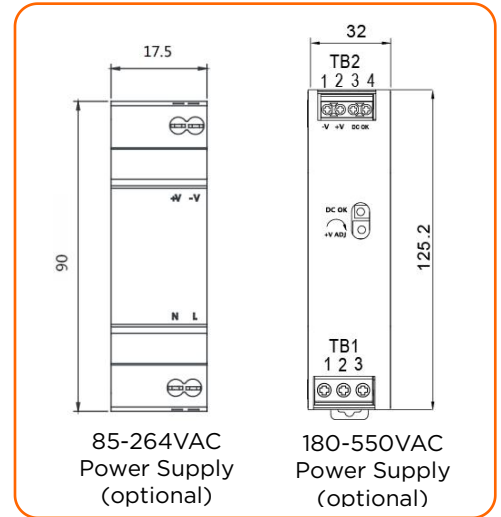
- ① RSD
- ② Transmitter-PLC Outdoor Kit
- ③ Inverter



- ① RSD
- ② Transmitter-PLC Outdoor Kit
- ③ Inverter
- ④ Emergency stop button box (optional): Press the emergency stop button, the transmitter AC power supply is disconnected, the RSD closes the output, and the system rapid shutdown.



Transmitter-PLC Outdoor Kit



85-264VAC Power Supply (optional)

180-550VAC Power Supply (optional)

### Main electrical data

|               |        |
|---------------|--------|
| Input Voltage | 12 VDC |
| Input Current | 0.8A   |
| Communication | PLC    |

### Power Supply

|                        |   |
|------------------------|---|
| Residential (optional) | 85-264VAC Input, 12VDC Output, 90 mm x 17.5 mm x 58.4 mm  |
| Commercial (optional)  | 180-550VAC Input, 12VDC Output, 125.2 mm x 32 mm x 102 mm |

### Core data

|   |               |
|---|---------------|
| Max. Current                                  | 320A (160A*2) |
| Max. System Voltage                           | 1500VDC       |
| Internal Opening for Wires/Outside Dimensions | -29mm/65mm    |
| Max. Supported PV Modules per String          | 30 modules    |

### Max.Number Of Strings Per Core

|   |         |          |       |         |
|---|---------|----------|-------|---------|
| DC Cable Diameter                             | Φ 5.9mm | Φ 6.35mm | Φ 7mm | Φ 8.6mm |
| Number Of Strings Per Core(without connector) | ≤15     | ≤15      | ≤14   | ≤10     |

### Environmental

|             |               |
|-------------|---------------|
| Temperature | -40°C ~ +60°C |
|-------------|---------------|

### Structure data

|                                |                            |
|--------------------------------|----------------------------|
| Dimensions (W x H x D)         | 198.5 mm x 298 mm x 179 mm |
| Enclosure Environmental Rating | IP65                       |

### Features & Compliance

|                   |  |
|-------------------|--|
| Safety Compliance | NEC 2017, 2020&2023 (690.12); UL1741; CSA C22.2 No. 330-17 |
| EMC Compliance    | FCC Part15; ICES-003                                       |



## ORDERING INFORMATION

|        |  |
|--------|--|
| 408004 | Single Core Transmitter-PLC-Outdoor Kit, 180-550VAC Power Supply                   |
| 408005 | Dual Core Transmitter-PLC-Outdoor Kit, 180-550VAC Power Supply                     |
| 408006 | Single Core Transmitter-PLC-Outdoor Kit, 85-264VAC Power Supply                    |
| 408007 | Dual Core Transmitter-PLC-Outdoor Kit, 85-264VAC Power Supply                      |
| 408010 | Single Core Transmitter-PLC-Outdoor Kit, 180-550VAC Power Supply, Emergency button |
| 408011 | Dual Core Transmitter-PLC-Outdoor Kit, 180-550VAC Power Supply, Emergency button   |
| 408012 | Single Core Transmitter-PLC-Outdoor Kit, 85-264VAC Power Supply, Emergency button  |
| 408013 | Dual Core Transmitter-PLC-Outdoor Kit, 85-264VAC Power Supply, Emergency button    |

## APsmart

8627 N Mopac Expy, Suite 150, Austin, TX 78759 | +1-737-218-8486 | +1-866-374-8538 | support@APsmartGlobal.com | APsmartGlobal.com