



K-FLASH INSTALLATION INSTRUCTIONS

Part of the K-Rack UL 2703 and LTR-AE-001-2012 Listed System

1. Measure and mark the appropriate bracket locations. Use a measuring tape to ensure chalk lines are straight and square. When marking, take care to ensure that the top of the flashing is at least $\frac{1}{4}$ " above the top of the slit in the shingle (Figure 1 Flashing Positioning)

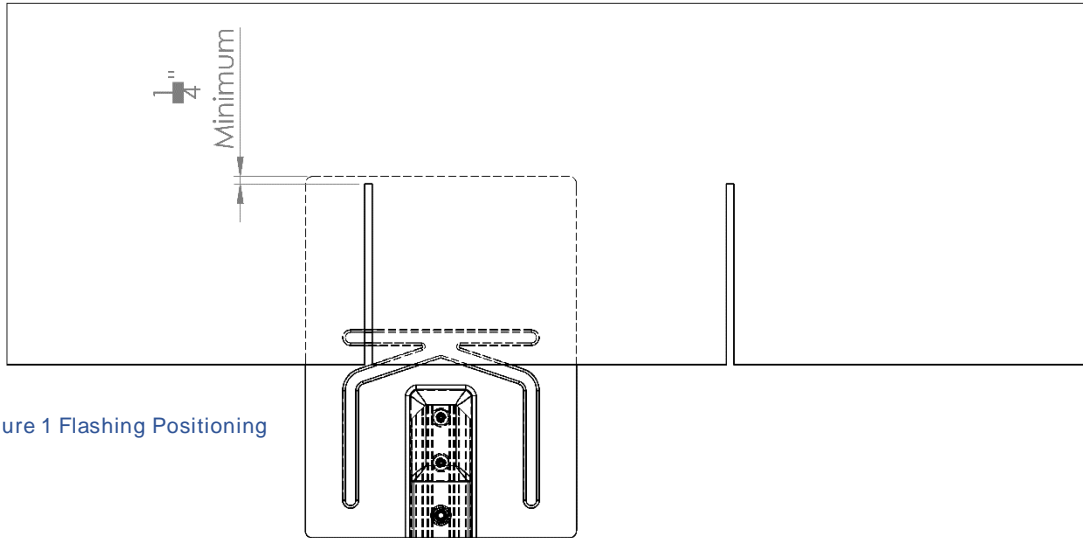


Figure 1 Flashing Positioning

2. If your kit includes two regular lag bolts, prepare the roof for the installation of lag bolts by drilling two $\frac{7}{32}$ " pilot holes through the roof and into the rafter for each Base Plate that will be affixed. If your kit includes a single self-drilling screw, do not pre-drill any holes.

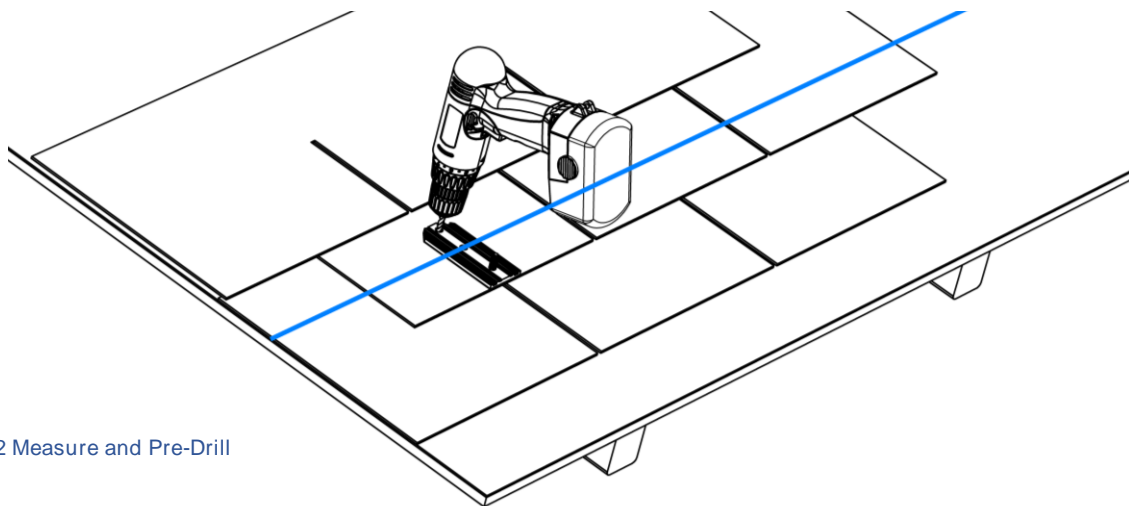


Figure 2 Measure and Pre-Drill

3. Screw each Base Plate into position using supplied bolt(s). If using the single bolt kit, the hole closest to the stud should be used. The Base Plate should be facing downward (holes up with respect to the peak of the roof, stud facing outwards).

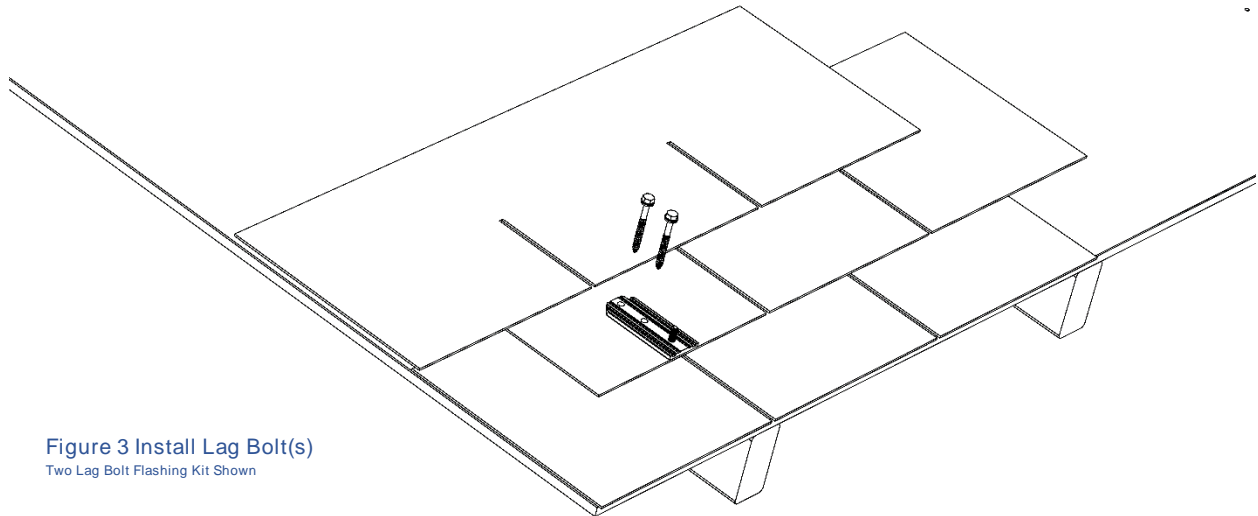
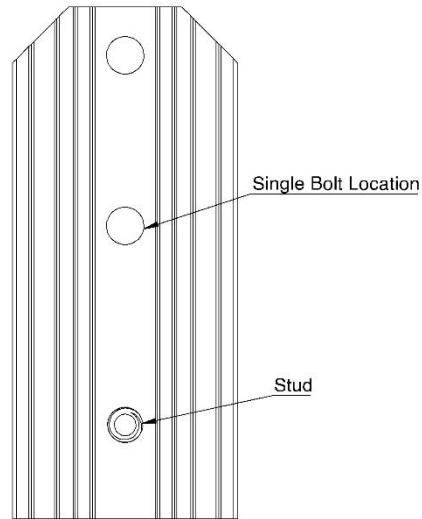


Figure 3 Install Lag Bolt(s)
Two Lag Bolt Flashing Kit Shown

4. Apply Geocel 4500 Roof Bonding Sealant, BES 925 or equivalent to the underside of your K-Flash sheet



Figure 6 Geocel 4500



Figure 6 Geocel PROFLEX

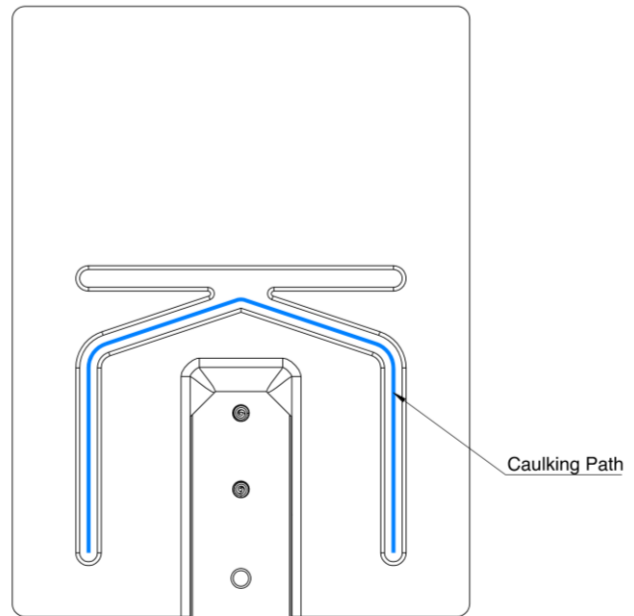


Figure 6 Caulking Path

5. Slide the K-Flash sheet under shingles and position over the base plate stud; the K-Flash sheet should sit flush against the roof.

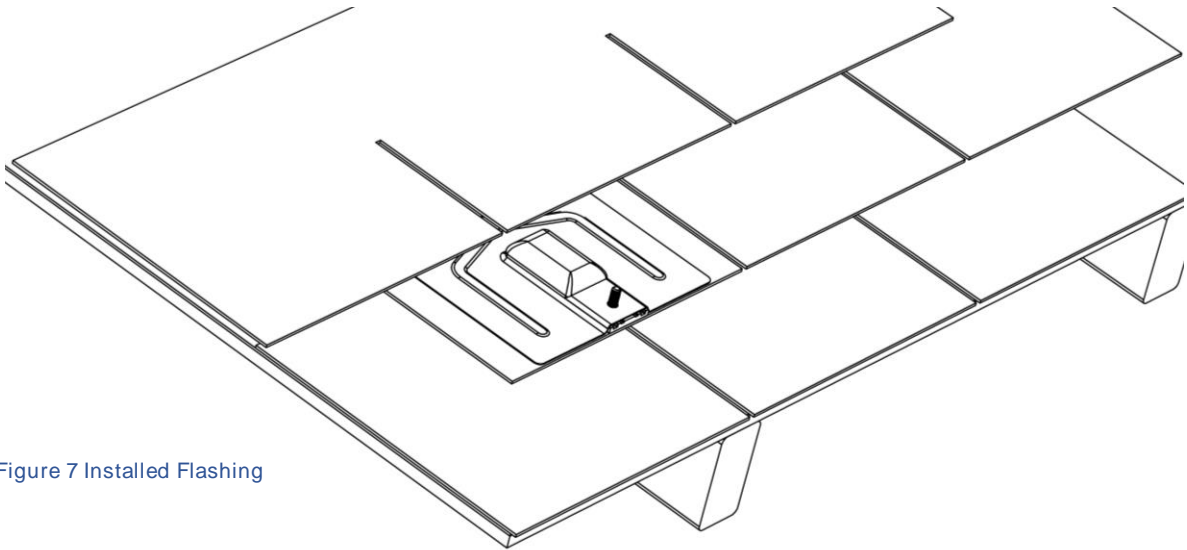


Figure 7 Installed Flashing

6. (Optional) If using the flashing kit with riser block, place the riser block on the stud above the flashing